

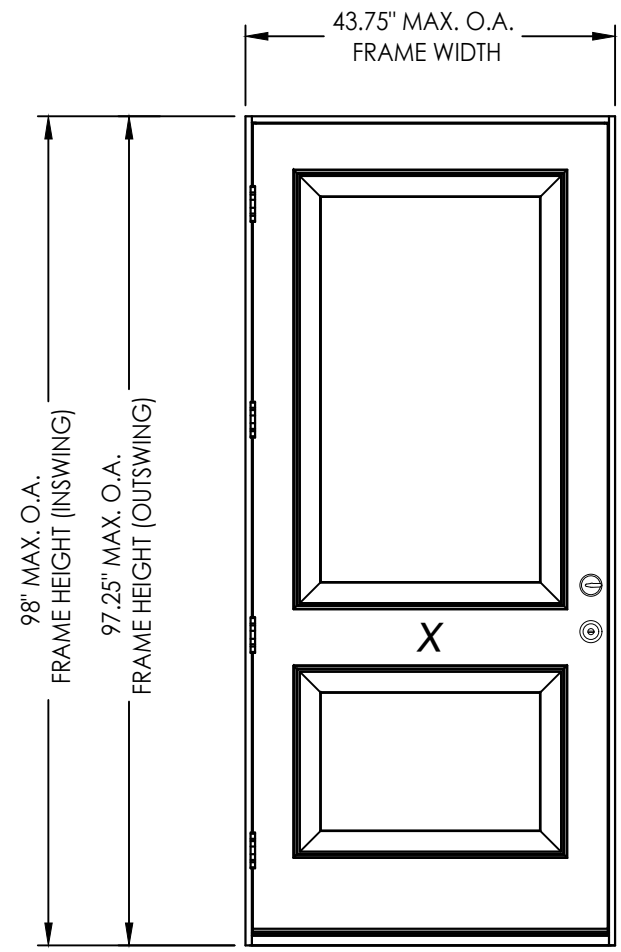
This item has been digitally signed and sealed by L. F. Schmidt, P.E. on the date adjacent to the seal. Printed copies of this document are not considered signed and sealed and the signature must be verified on any electronic copies.

THIS PRODUCT APPROVAL IS VALID ONLY FOR THE STATE OF FLORIDA

Documents Prepared By:
Lyndon F. Schmidt
P.E. No. 43409

RW
BUILDING CONSULTANTS, INC.
P.O. Box 230, Valrico, FL 33595
Phone No.: 813.659.9197
FBPE Registry No. 9813

OPAQUE FIBERGLASS SINGLE DOOR INSWING/OUTSWING "IMPACT"



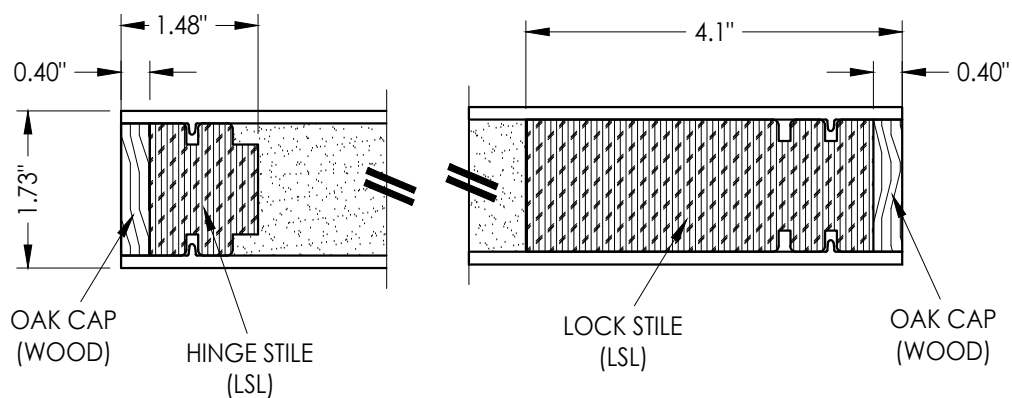
GENERAL NOTES

1. This product has been evaluated and is in compliance with the 8th Edition (2023) Florida Building Code (FBC) structural requirements excluding the "High Velocity Hurricane Zone" (HVHZ).
2. Product anchors shall be as listed and spaced as shown on details. Anchor embedment to base material shall be beyond wall dressing or stucco.
3. When used in areas requiring wind borne debris protection, this product complies with FBC Sections 1609.1.2 & R301.2.1.2 and does not require an impact resistant covering. This product meets missile level "D" and excludes Wind Zone 4 as defined in ASTM E 1996 and FBC Sections 1609.1.2.2 & R301.2.1.2.1.
4. For 2x stud framing construction, anchoring of these units shall be the same as that shown for 2x buck masonry construction.
5. Site conditions that deviate from the details of this drawing require further engineering analysis by a licensed engineer or registered architect.

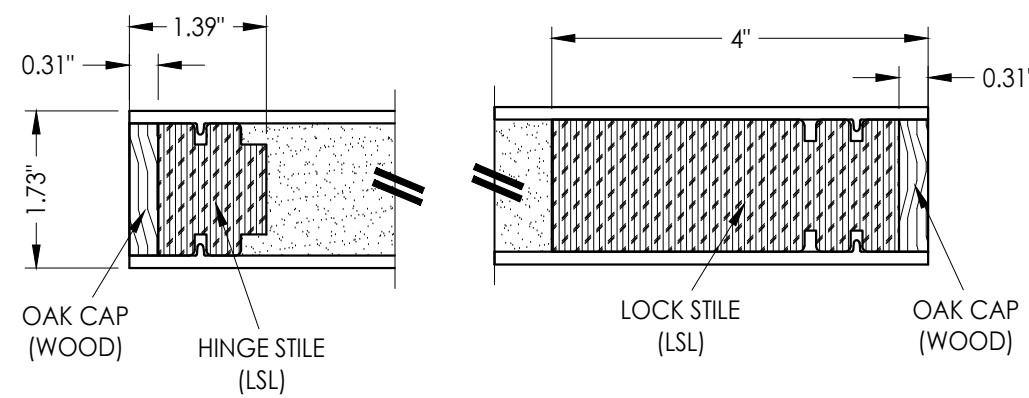
TABLE OF CONTENTS	
SHEET#	DESCRIPTION
1	Typical Elevations, Design Pressures & General Notes
2	Door Panel Details
3	Elevations
4	Horizontal & Vertical Cross Sections (2X Buck)
5	Horizontal & Vertical Cross Sections (1X Buck)
6	Horizontal & Vertical Cross Sections (Direct to Masonry)
7	Vertical Cross Sections (Thresholds)
8	Buck & Frame Anchoring & Hardware Details
9	Bill of Materials and Components

CONFIGURATION	DESIGN PRESSURE (PSF) INSWING		DESIGN PRESSURE (PSF) OUTSWING	
	POSITIVE	NEGATIVE	POSITIVE	NEGATIVE
X	+50.0	-65.0	+50.0	-50.0

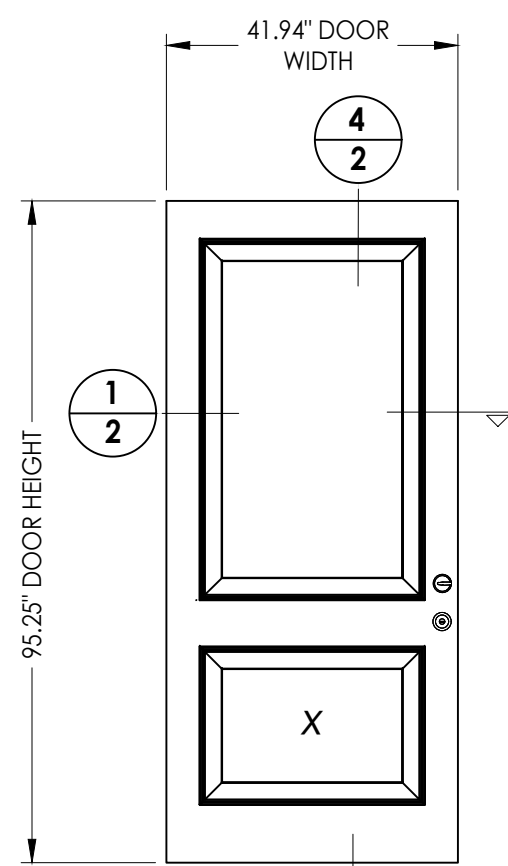
PRODUCT: THERMA-TRU FIBERGLASS DOOR		PART OR ASSEMBLY: TYPICAL ELEVATION, DESIGN PRESSURES & GENERAL NOTES	
		8/08/23	UPDATE TO 8TH ED. (2023) FBC
		7/23/20	UPDATE TO 7TH ED (2020) FBC
		NO.	DATE
			BY
REVISIONS			
DATE: 4/15/20			
SCALE: N.T.S.			
DWG. BY: RW			
CHK. BY: LFS			
DRAWING NO.: FL-23956.7			
SHEET 1 of 10			



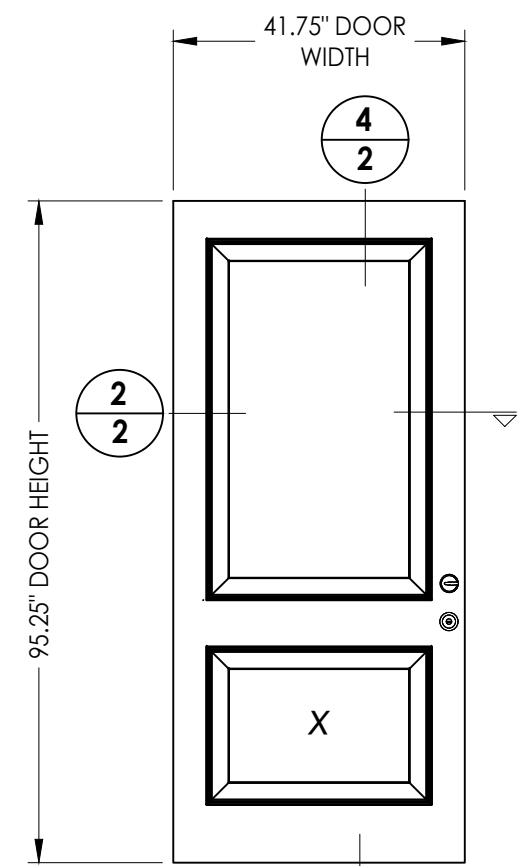
1
2 **HORIZONTAL CROSS SECTION**



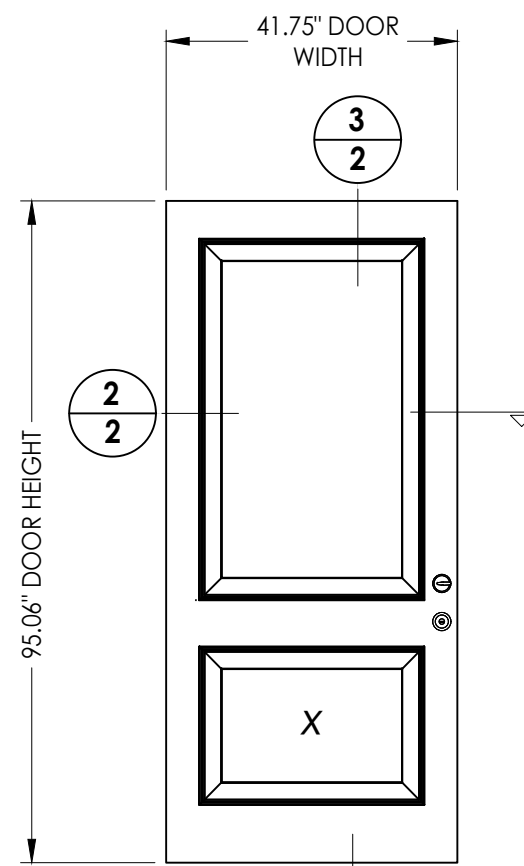
2
2 **HORIZONTAL CROSS SECTION**



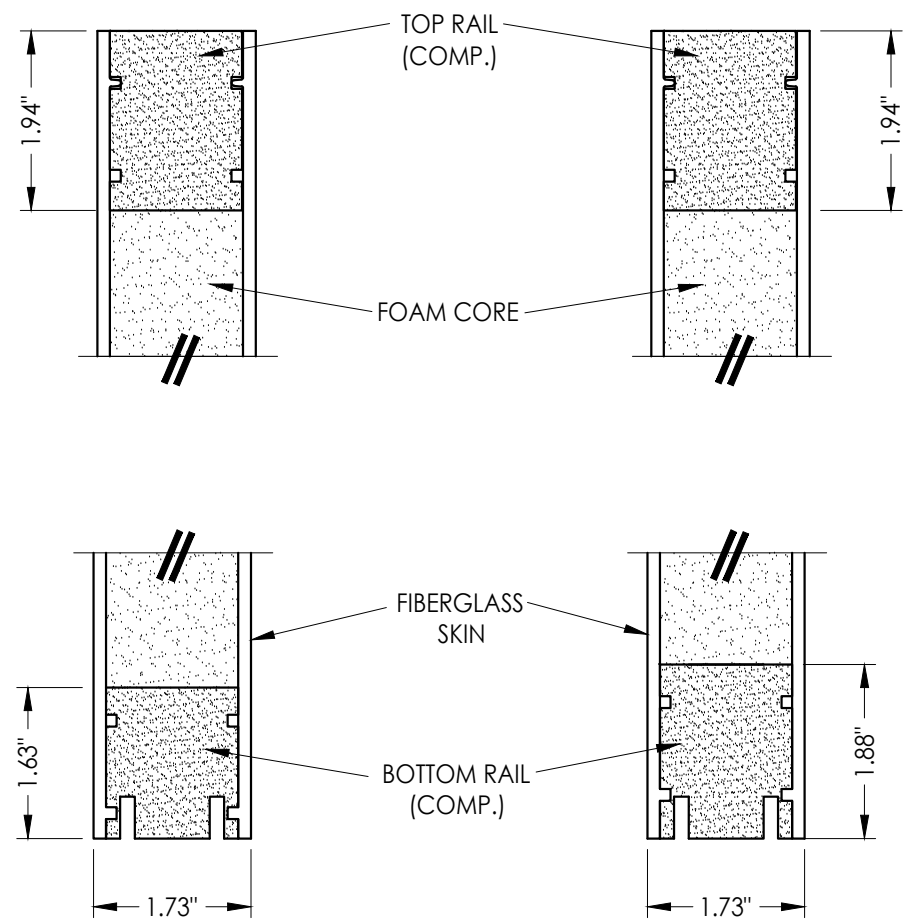
40 **DOOR PANEL**
Book Door



41 **DOOR PANEL**
Hybrid Door



42 **DOOR PANEL**
U1 Door



3
2 **VERTICAL CROSS SECTION**

4
2 **VERTICAL CROSS SECTION**

"Classic-Craft" SERIES DOOR PANEL
 FIBERGLASS DOOR SKIN: 0.125" MIN. THK.
 FOAM CORE: POLYURETHANE FOAM (1.9 PCF MIN.)

Documents Prepared By:
 Lyndon F. Schmidt
 P.E. No. 43409

RW BUILDING CONSULTANTS, INC.
 P.O. Box 230, Valrico, FL 33595
 Phone No.: 813.659.9197
 FBPE Registry No. 9813

PRODUCT:
 THERMA-TRU
 FIBERGLASS DOOR

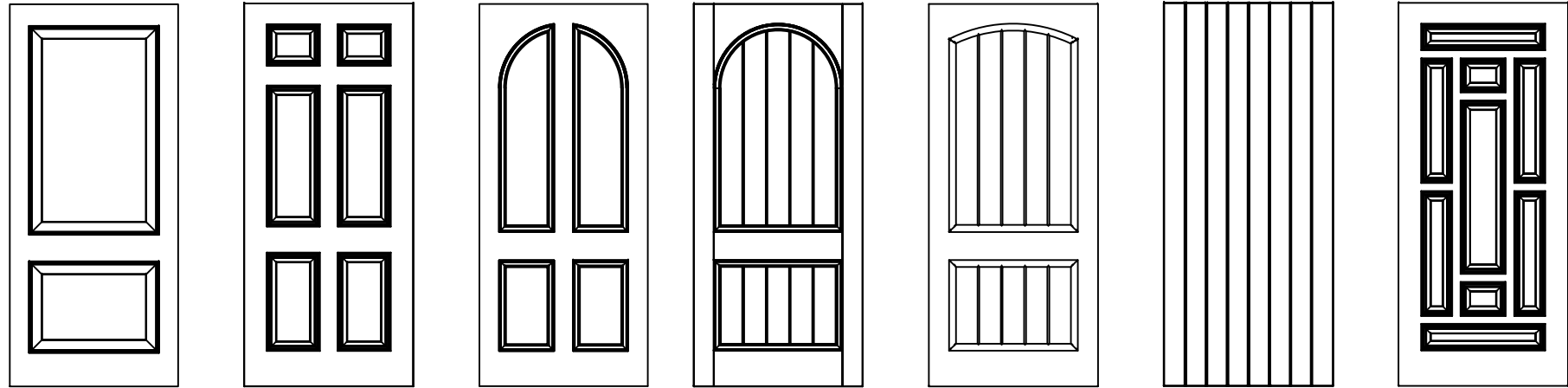
PART OR ASSEMBLY:
 DOOR PANEL
 DETAILS

NO.	DATE	BY
2	8/08/23	LFS
1	7/23/20	FBC

DATE:	4/15/20
SCALE:	N.T.S.
DWG. BY:	RW
CHK. BY:	LFS
DRAWING NO.:	FL-23956.7
SHEET	2 of 10

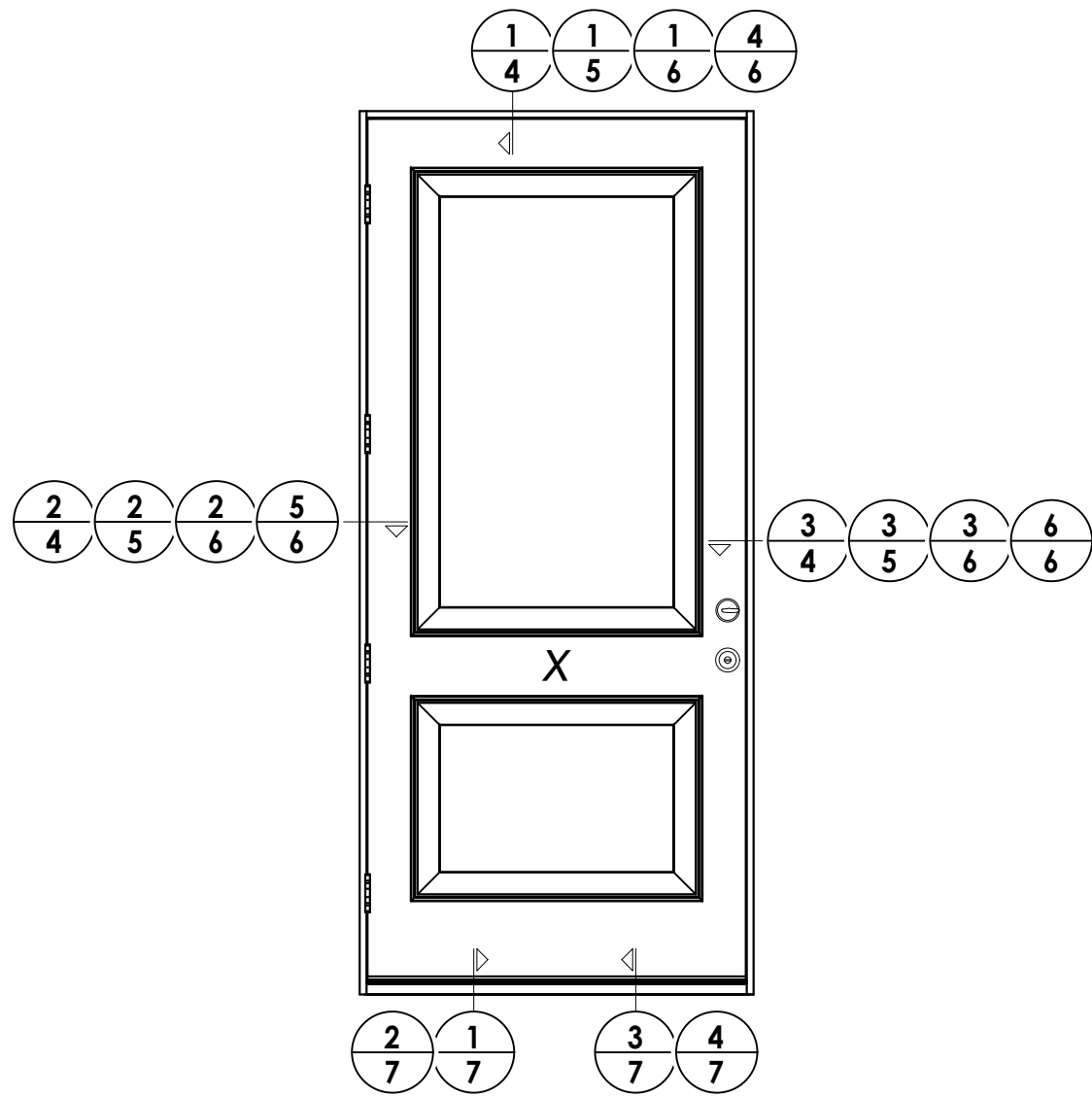
© 2020 R.W. BUILDING CONSULTANTS INC.

Z:\2023 FBC Drawings\Therma-Tru\FL-23956 R2\FL-23956.7.dwg



Classic-Craft Door Panel Options

Panel options shown are for illustration and are representative only
(similar opaque panel configurations are allowed)



HARDWARE TABLE	
MANUFACTURER	MODEL
SCHLAGE	KNOB: F51 DEADBOLT: B60N
KWIKSET	KNOB: SIGNATURE SERIES DEADBOLT: SIGNATURE SERIES (980)

Documents Prepared By:
Lyndon F. Schmidt
P.E. No. 43409

RW BUILDING CONSULTANTS, INC.
P.O. Box 230, Valrico, FL 33595
Phone No.: 813.659.9197
FBPE Registry No. 9813

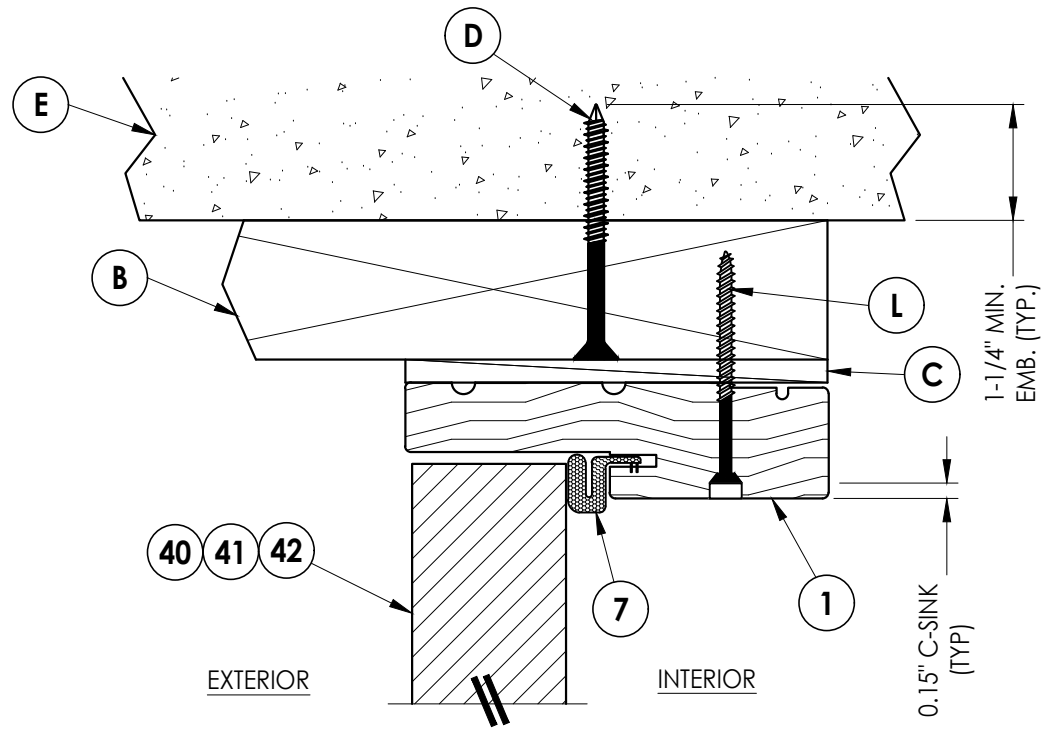
PRODUCT: THERMA-TRU FIBERGLASS DOOR

PART OR ASSEMBLY: ELEVATIONS

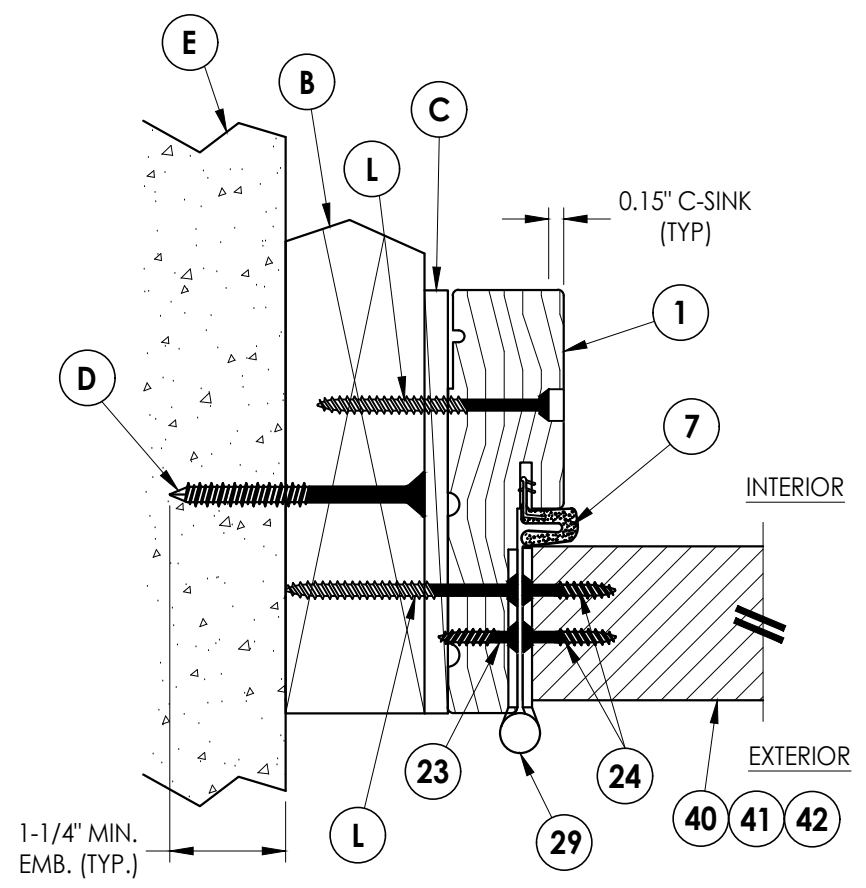
NO.	DATE	REVISIONS
2	8/08/23	UPDATE TO 8TH ED. (2023) FBC LFS
1	7/23/20	UPDATE TO 7TH ED (2020) FBC LFS

DATE: 4/15/20
SCALE: N.T.S.
DWG. BY: RW
CHK. BY: LFS
DRAWING NO.: FL-23956.7
SHEET 3 of 10

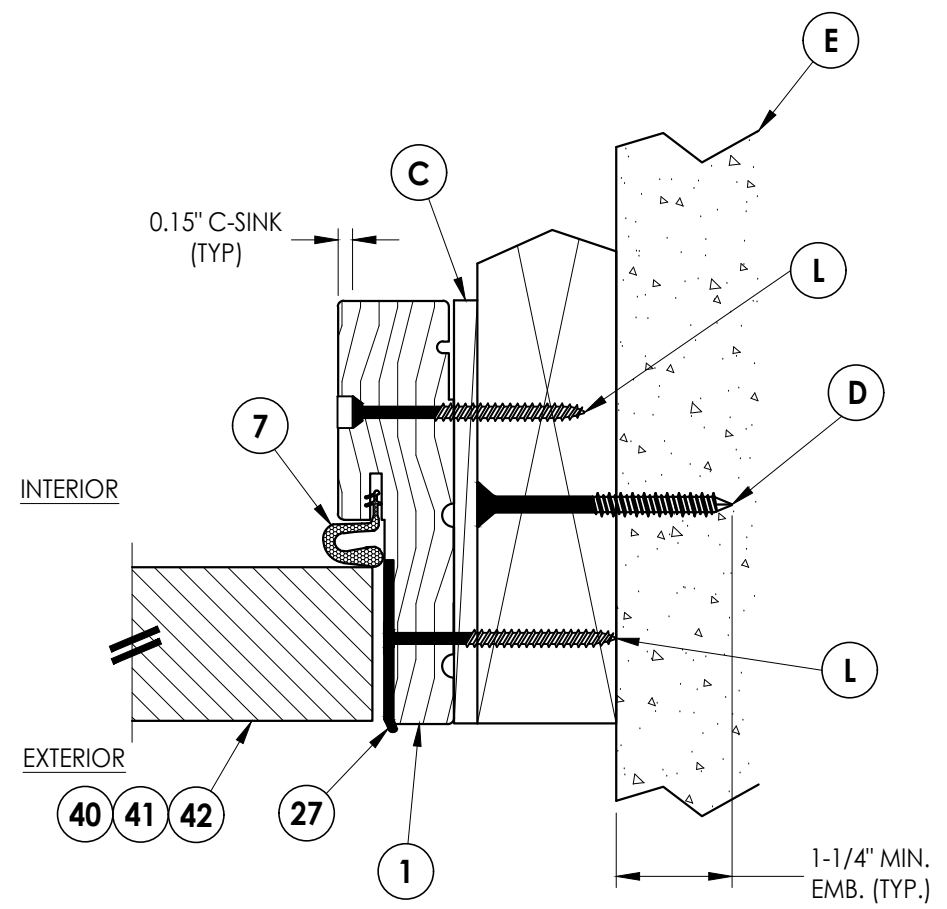
Z:\2023 FBC Drawings\Therma-Tru\FL-23956 R2\FL-23956.7.dwg



1 **VERTICAL CROSS SECTION**
4 Shown w/ 2X Buck
 Outswing shown (Inswing similar)



2 **HORIZONTAL CROSS SECTION**
4 Shown w/ 2X Buck
 Outswing shown (Inswing similar)



3 **HORIZONTAL CROSS SECTION**
4 Shown w/ 2X Buck
 Outswing shown (Inswing similar)

Documents Prepared By:
 Lyndon F. Schmidt
 P.E. No. 43409

RW BUILDING CONSULTANTS, INC.
 P.O. Box 230, Valrico, FL 33595
 Phone No.: 813.659.9197
 FBPE Registry No. 9813

PRODUCT: THERMA-TRU
 FIBERGLASS DOOR

PART OR ASSEMBLY:
 HORIZONTAL & VERTICAL
 CROSS SECTIONS (2X BUCK)

NO.	DATE	BY	REVISIONS
2	8/08/23	FBC	UPDATE TO 8TH ED. (2023)
1	7/23/20	FBC	UPDATE TO 7TH ED (2020)

DATE: 4/15/20

SCALE: N.T.S.

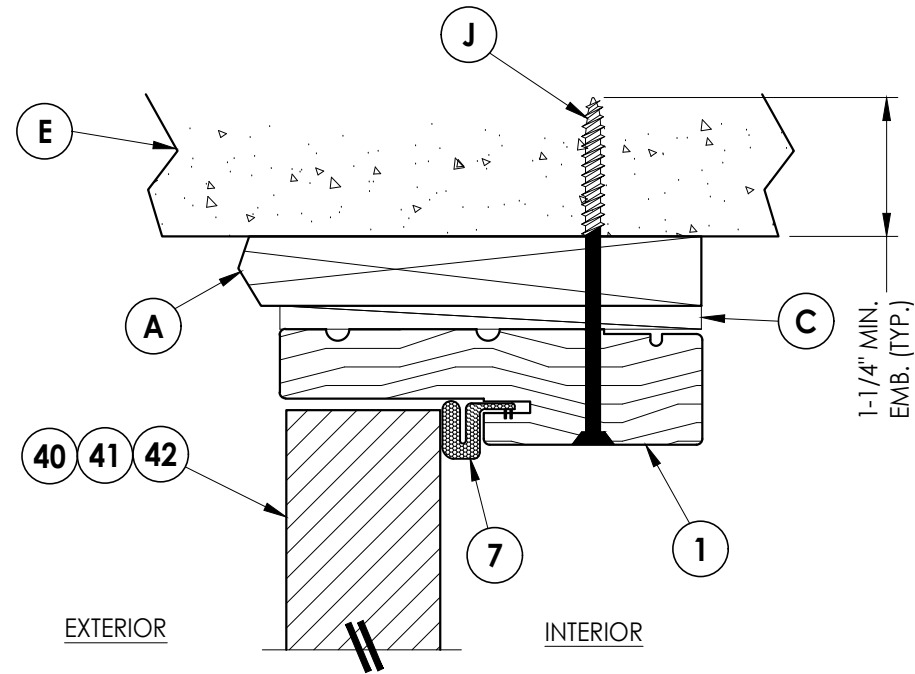
DWG. BY: RW

CHK. BY: LFS

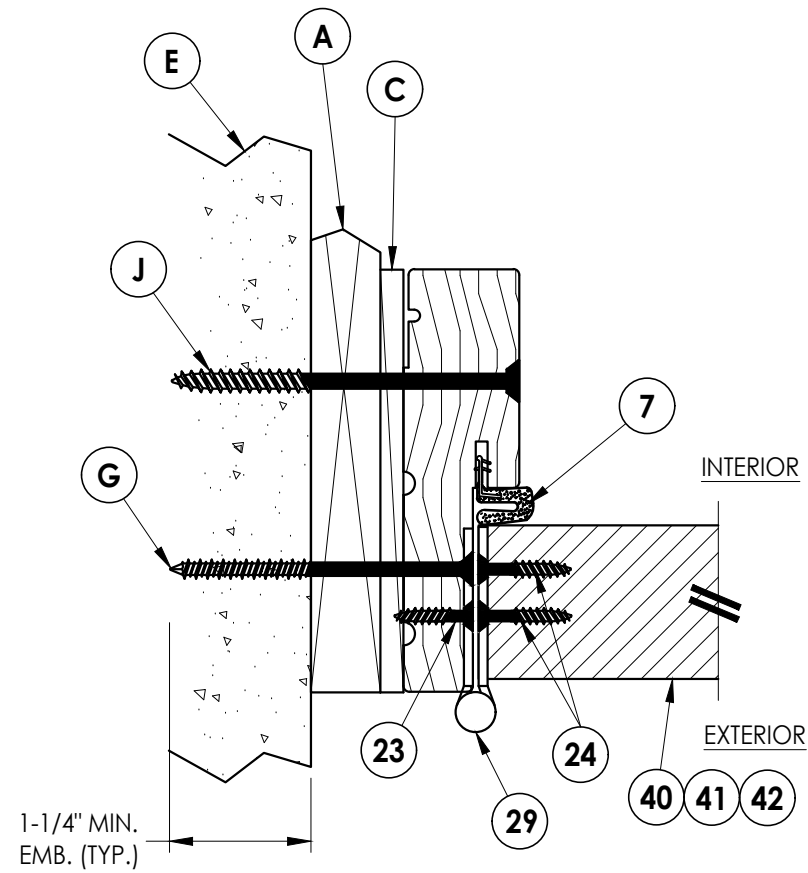
DRAWING NO.:
 FL-23956.7

SHEET 4 of 10

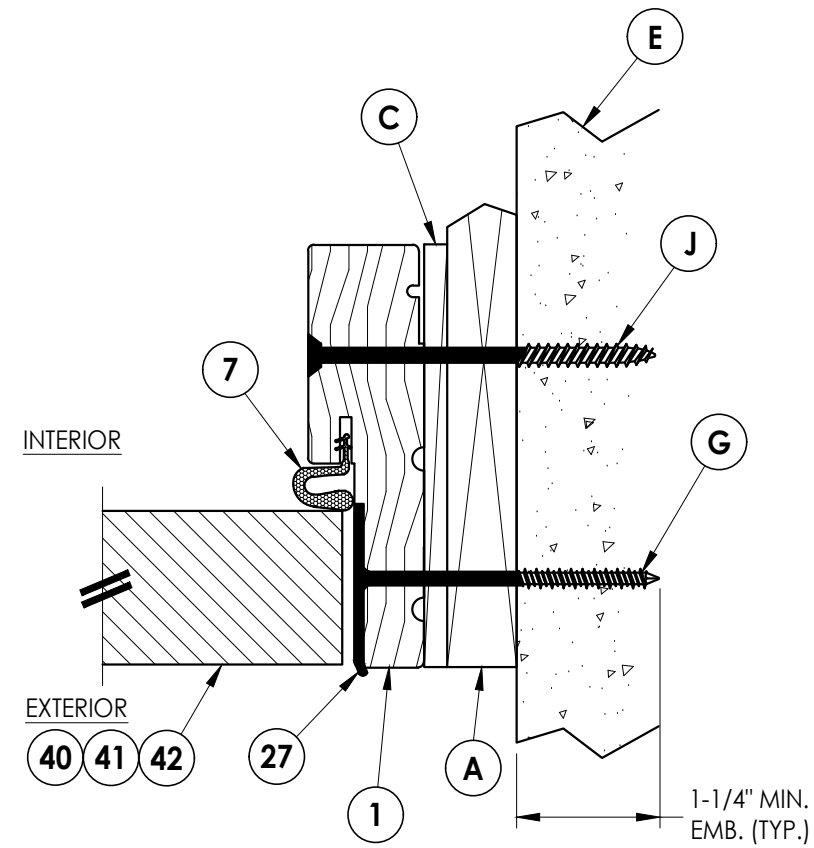
© 2020 R.W. BUILDING CONSULTANTS INC.



1 VERTICAL CROSS SECTION
5 Shown w/ 1X sub-buck
 Outswing shown (Inswing similar)



2 HORIZONTAL CROSS SECTION
5 Shown w/ 1X sub-buck
 Outswing shown (Inswing similar)



3 HORIZONTAL CROSS SECTION
5 Shown w/ 1X sub-buck
 Outswing shown (Inswing similar)

Documents Prepared By:
 Lyndon F. Schmidt
 P.E. No. 43409

RW BUILDING CONSULTANTS, INC.
 P.O. Box 230, Valrico, FL 33595
 Phone No.: 813.659.9197
 FBPE Registry No. 9813

PRODUCT: THERMA-TRU
 FIBERGLASS DOOR

PART OR ASSEMBLY:
 HORIZONTAL & VERTICAL
 CROSS SECTIONS (1X BUCK)

NO.	DATE	BY
2	8/08/23	LFS
1	7/23/20	LFS

REVISIONS

DATE: 4/15/20

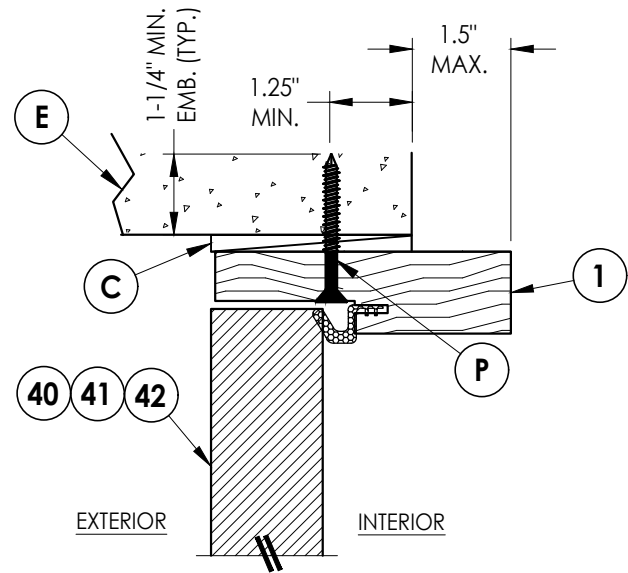
SCALE: N.T.S.

DWG. BY: RW

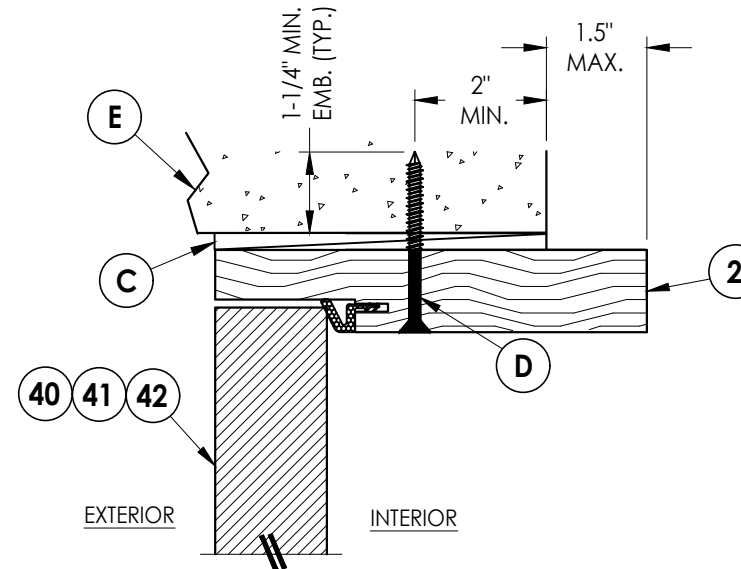
CHK. BY: LFS

DRAWING NO.: FL-23956.7

SHEET 5 of 10

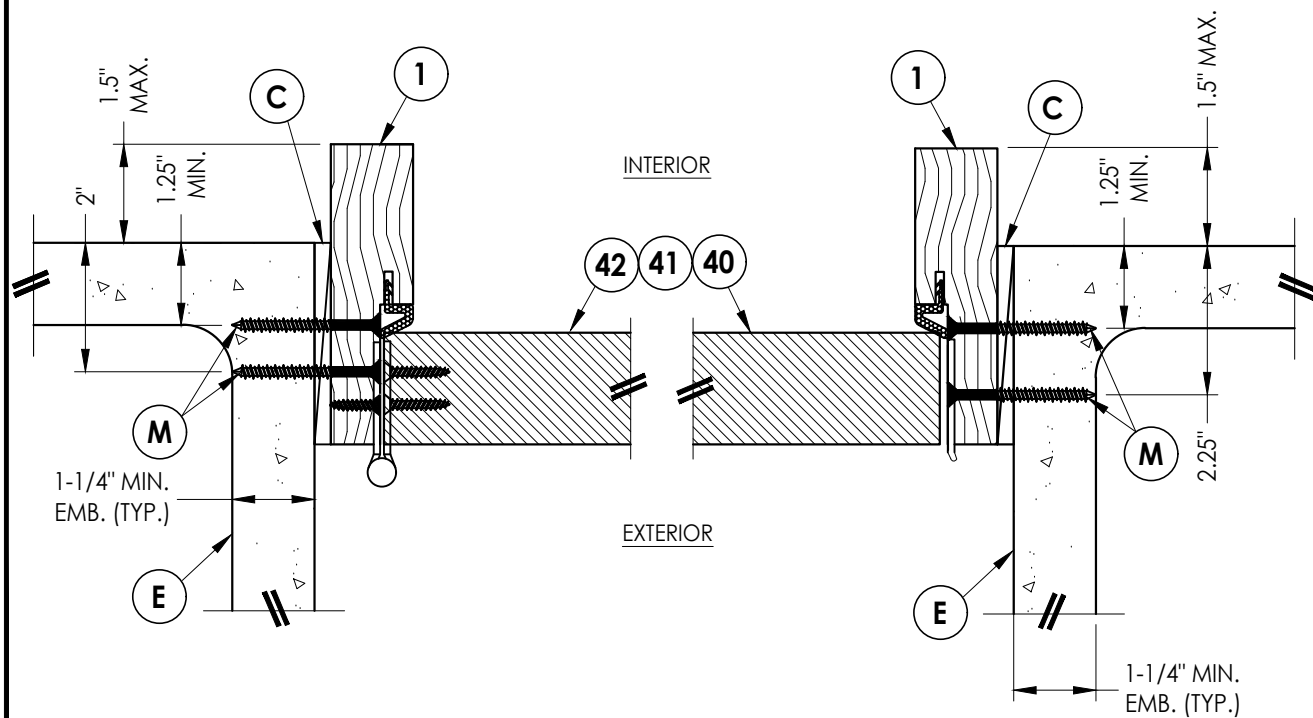


1
6 **VERTICAL CROSS SECTION**
Shown Direct to Masonry
Outswing only w/ 4-9/16" jamb



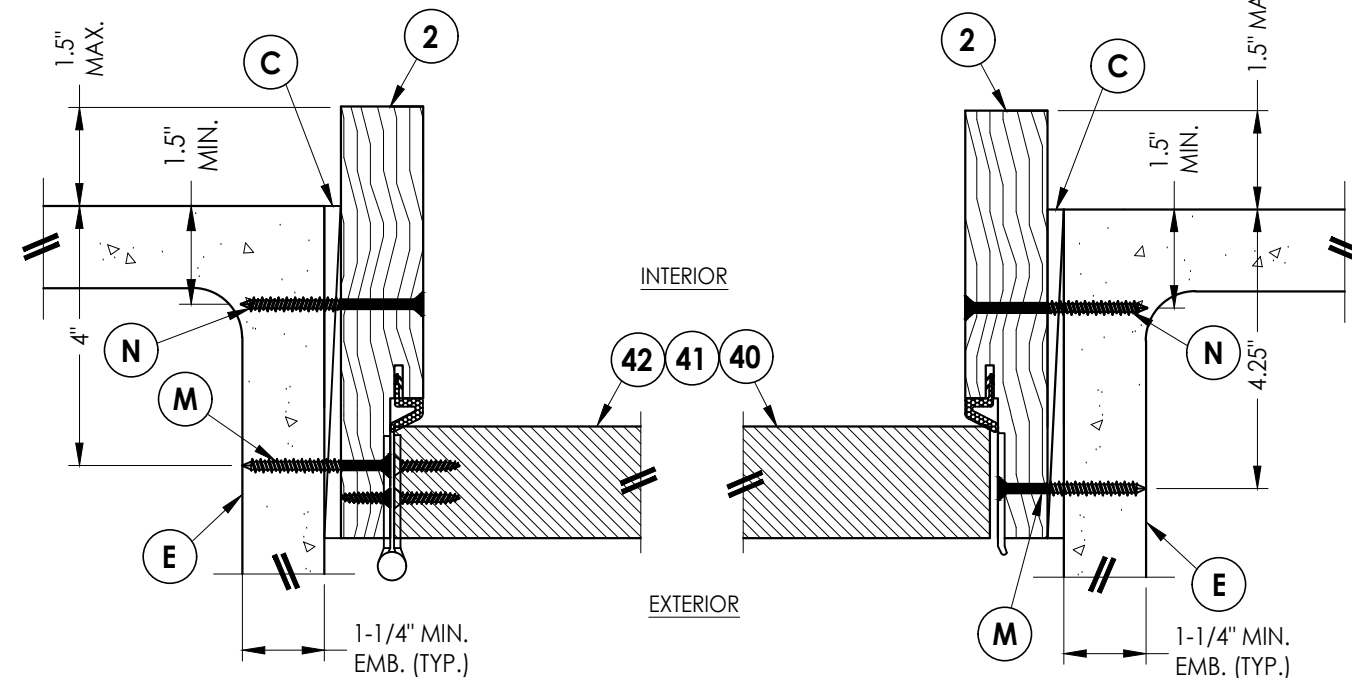
4
6 **VERTICAL CROSS SECTION**
Shown Direct to Masonry
Outswing only w/ 6-9/16" jamb

DIRECT TO MASONRY MAX. DESIGN PRESSURE:
± 40 PSF



2
6 **HORIZONTAL CROSS SECTION**
Shown Direct to Masonry
Outswing only w/ 4-9/16" jamb

3
6 **HORIZONTAL CROSS SECTION**
Shown Direct to Masonry
Outswing only w/ 4-9/16" jamb



5
6 **HORIZONTAL CROSS SECTION**
Shown Direct to Masonry
Outswing only w/ 6-9/16" jamb

6
6 **HORIZONTAL CROSS SECTION**
Shown Direct to Masonry
Outswing only w/ 6-9/16" jamb

Documents Prepared By:
Lyndon F. Schmidt
P.E. No. 43409

RW BUILDING CONSULTANTS, INC.
P.O. Box 230, Valrico, FL 33595
Phone No.: 813.659.9197
FBPE Registry No. 9813

PRODUCT: THERMA-TRU
FIBERGLASS DOOR

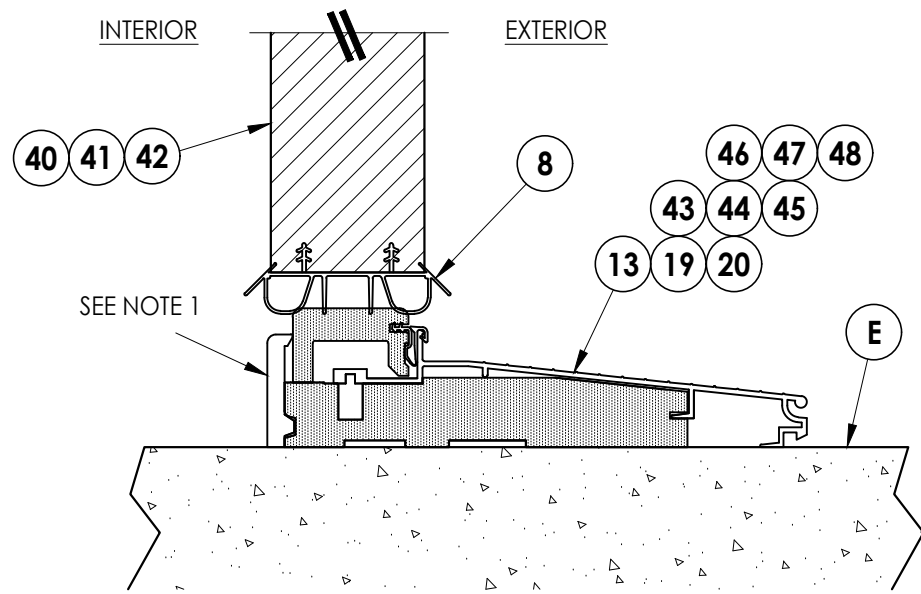
PART OR ASSEMBLY:
HORIZONTAL & VERTICAL
SECTIONS (DIRECT TO MASONRY)

NO.	DATE	BY	REVISIONS
2	8/08/23	LFS	UPDATE TO 8TH ED. (2023) FBC
1	7/23/20	LFS	UPDATE TO 7TH ED (2020) FBC

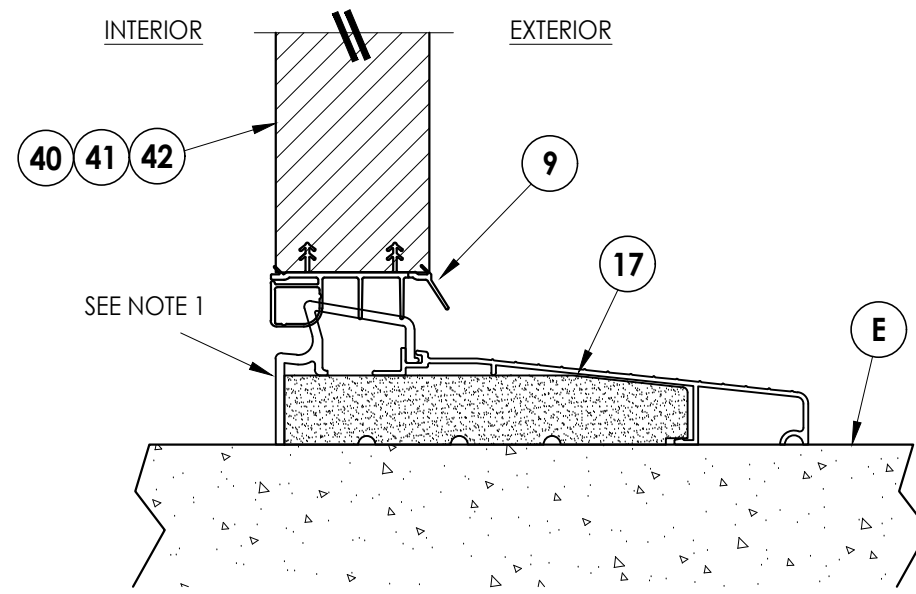
DATE: 4/15/20
SCALE: N.T.S.
DWG. BY: RW
CHK. BY: LFS
DRAWING NO.: FL-23956.7
SHEET 6 OF 10

Notes:

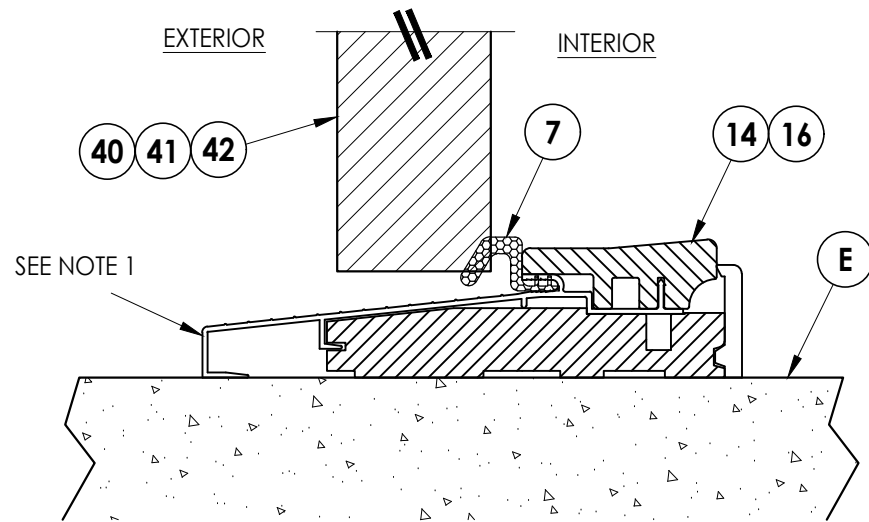
- 1. Sill Item #'s 13, 16, 17, 19, 20, 43, 44, 45, 46, 47 & 48 are attached to jambs w/ (3) #8 X 2-1/2" pfh screws at each end.
- Sill Item # 14 is attached to jambs w/ (2) #8 X 2-1/2" pfh screws at each end.
- Sill Item # 18 is attached to jambs utilizing (4) #10 X 1-1/2" pph screws at each end.



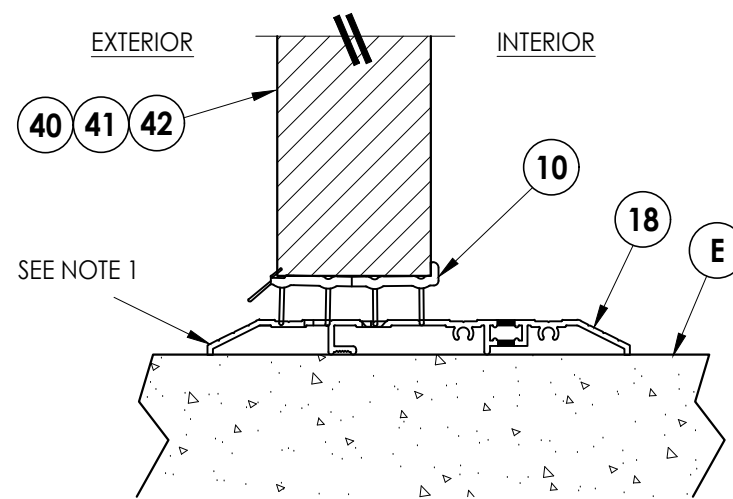
1 VERTICAL CROSS SECTION
7 Inswing Sill



2 VERTICAL CROSS SECTION
7 Inswing Sill



3 VERTICAL CROSS SECTION
7 Outswing Sill



4 VERTICAL CROSS SECTION
7 Public Access Sill

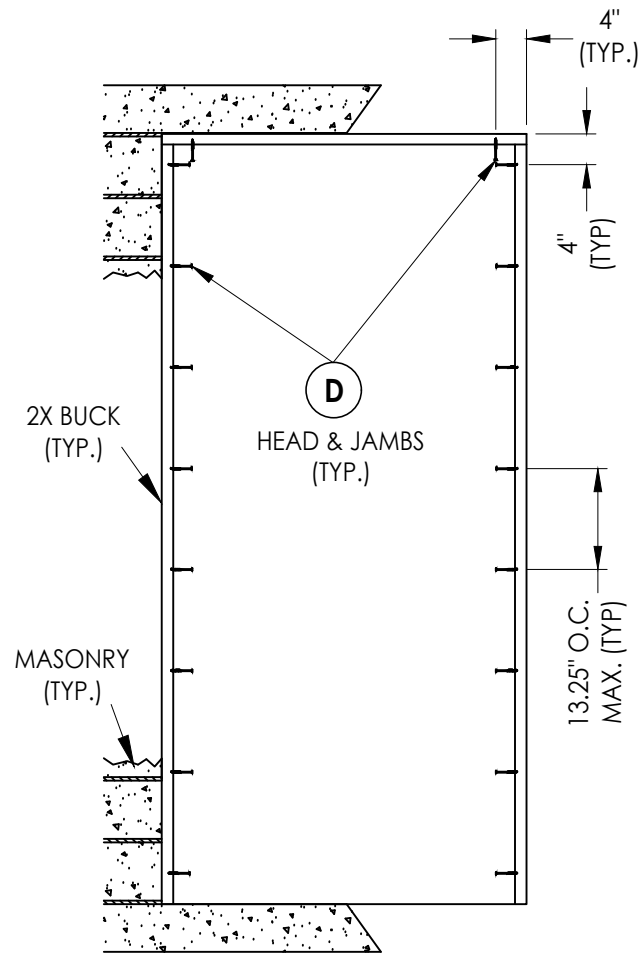
Documents Prepared By:
Lyndon F. Schmidt
P.E. No. 43409

RW BUILDING CONSULTANTS, INC.
P.O. Box 230, Valrico, FL 33595
Phone No.: 813.659.9197
FBPE Registry No. 9813

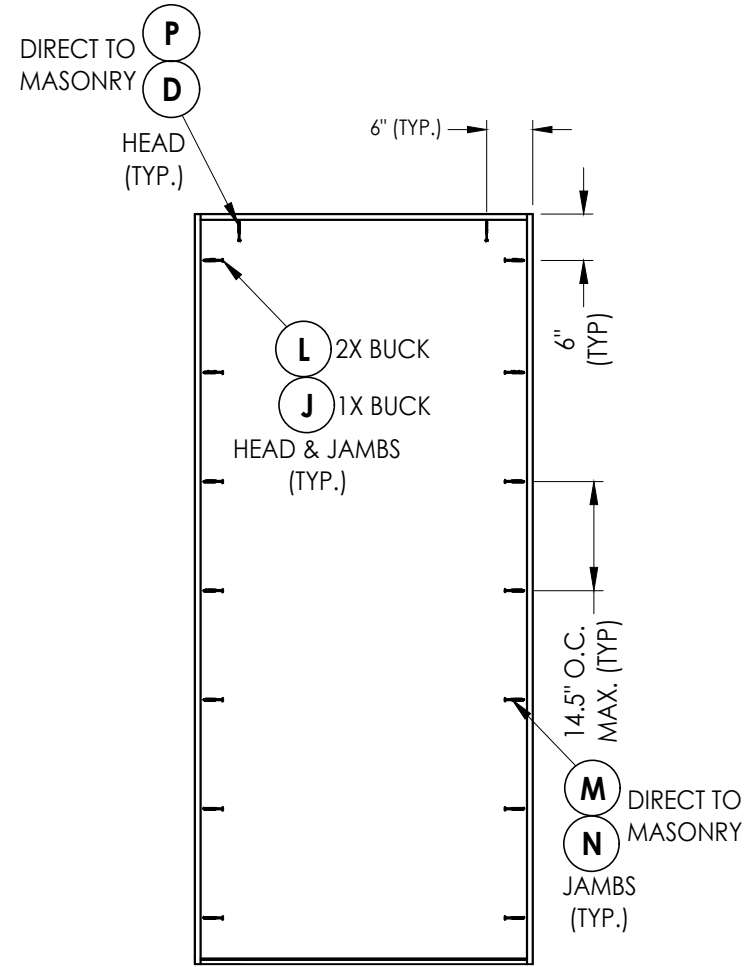
PRODUCT: THERMA-TRU FIBERGLASS DOOR
PART OR ASSEMBLY: VERTICAL CROSS SECTIONS (THRESHOLDS)

NO.	DATE	REVISIONS
2	8/08/23	UPDATE TO 8TH ED. (2023) FBC LFS
1	7/23/20	UPDATE TO 7TH ED (2020) FBC LFS

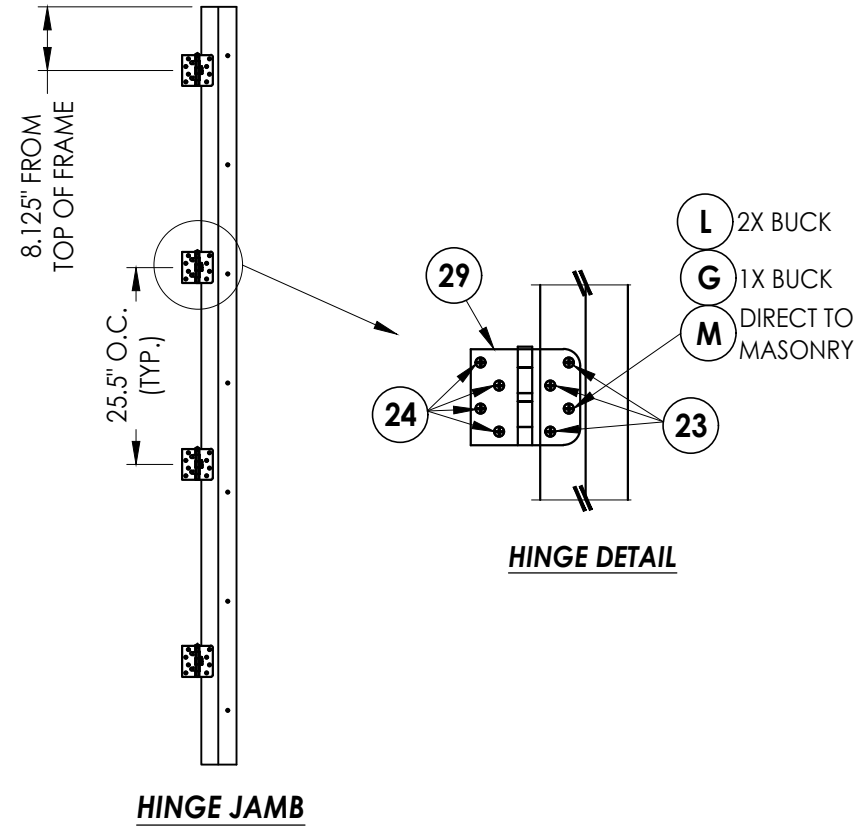
DATE: 4/15/20
SCALE: N.T.S.
DWG. BY: RW
CHK. BY: LFS
DRAWING NO.: FL-23956.7
SHEET 7 of 10



2X BUCK ANCHORING

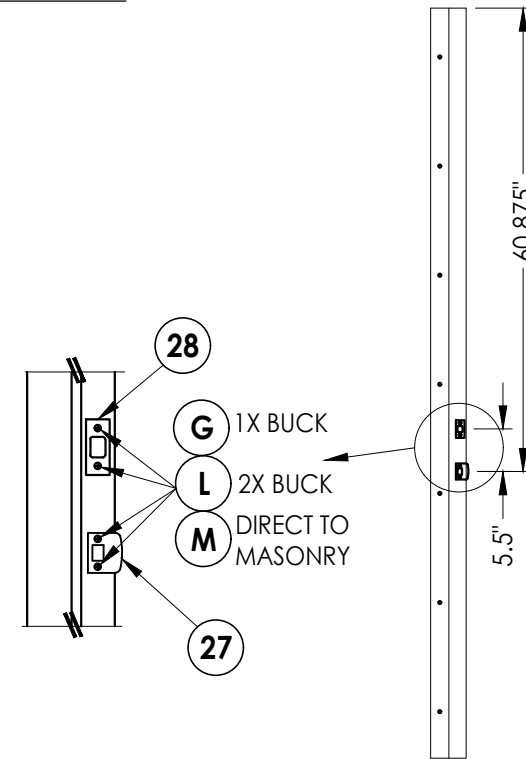


FRAME ANCHORING



HINGE JAMB

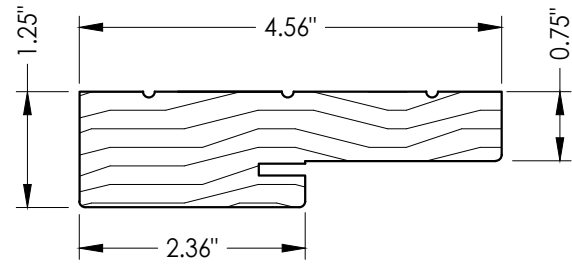
HINGE DETAIL



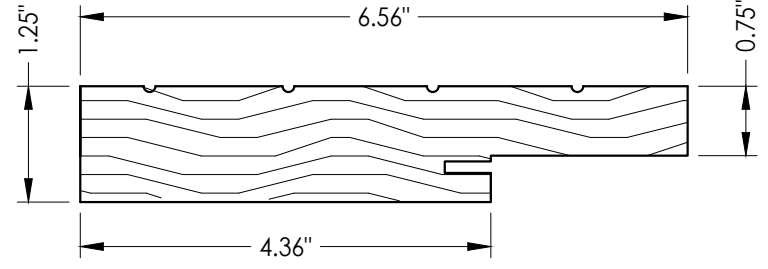
LATCH & DEADBOLT STRIKE PLATE DETAILS

Documents Prepared By: Lyndon F. Schmidt P.E. No. 43409		BUILDING CONSULTANTS, INC. P.O. Box 230, Valrico, FL 33595 Phone No.: 813.659.9197 FBPE Registry No. 9813	
PRODUCT: THERMA-TRU FIBERGLASS DOOR		PART OR ASSEMBLY: BUCK & FRAME ANCHORING & HARDWARE DETAILS	
		LFS	FBC
		LFS	FBC
		NO.	DATE
		REVISIONS	
DATE: 4/15/20			
SCALE: N.T.S.			
DWG. BY: RW			
CHK. BY: LFS			
DRAWING NO.: FL-23956.7			
SHEET 8 of 10			

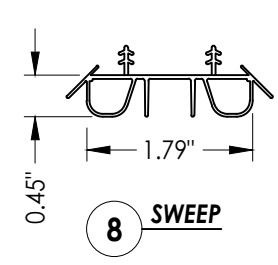
Z:\2023 FBC Drawings\Therma-Tru\FL-23956 R2\FL-23956.7.dwg



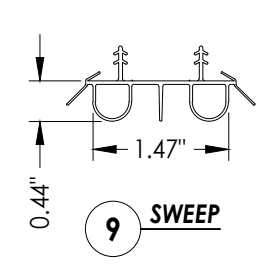
1 WOOD JAMB



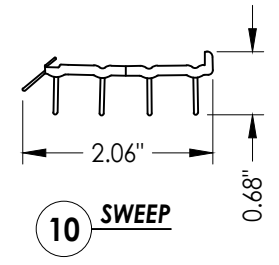
2 WOOD JAMB



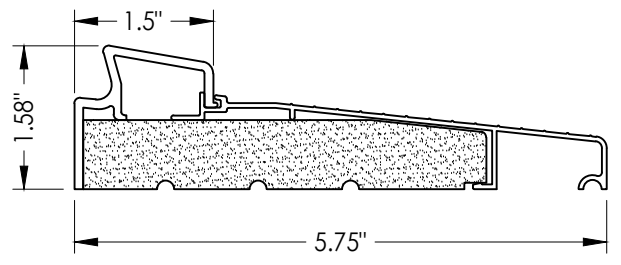
8 SWEEP



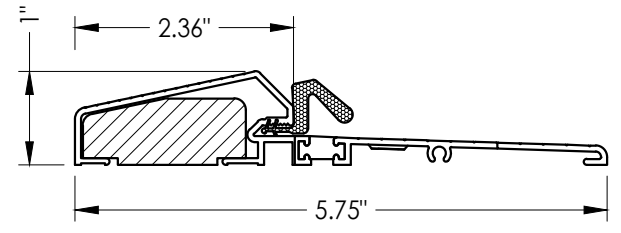
9 SWEEP



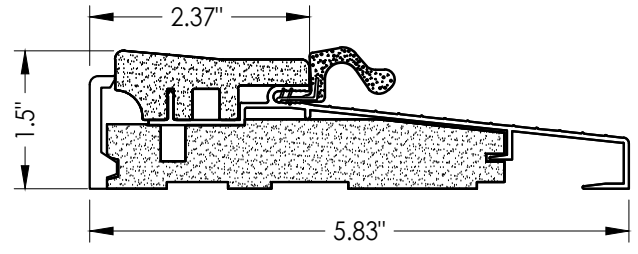
10 SWEEP



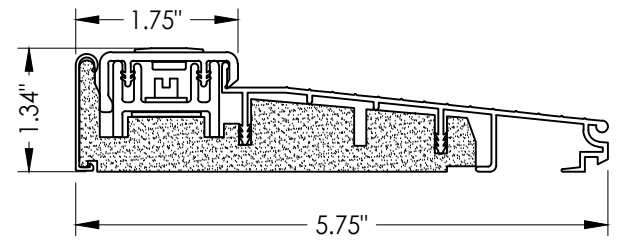
17 INSWING THRESHOLD
Basic Fixed



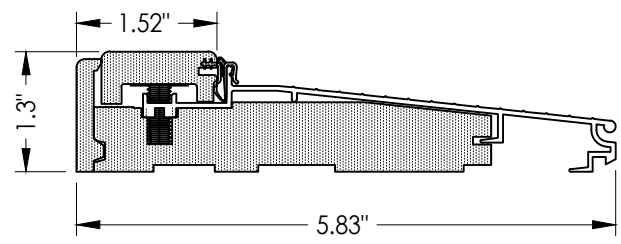
14 INSWING THRESHOLD



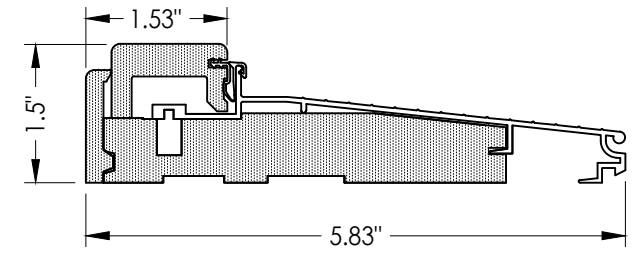
16 INSWING THRESHOLD



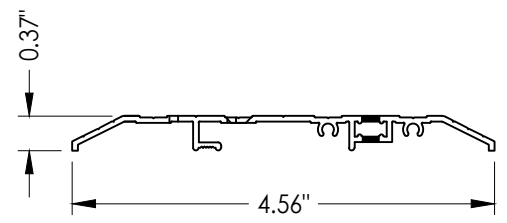
13 INSWING THRESHOLD
Adjustable



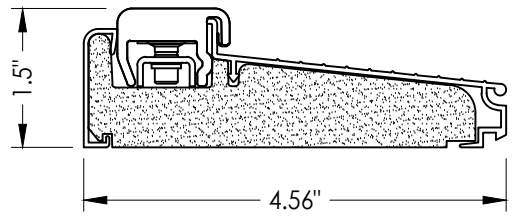
19 INSWING THRESHOLD
Adjustable



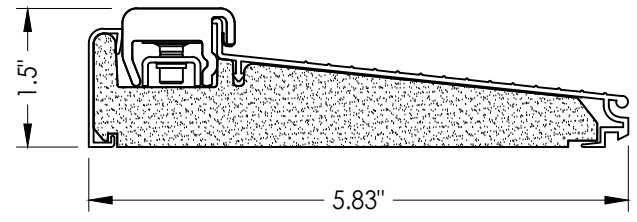
20 INSWING THRESHOLD
Adjustable



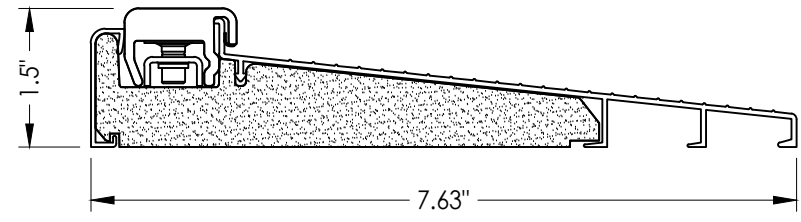
18 PUBLIC ACCESS THRESHOLD



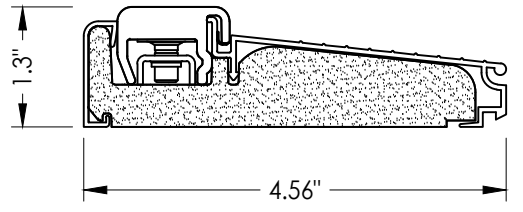
43 INSWING THRESHOLD
Inswing Composite Adjustable Sill Book, Hybrid



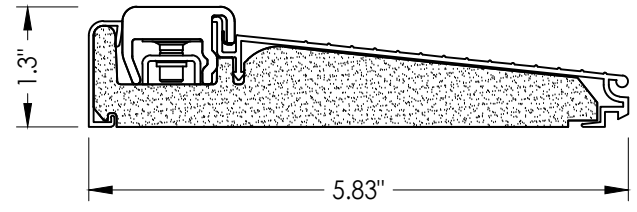
44 INSWING THRESHOLD
Inswing Composite Adjustable Sill Book, Hybrid



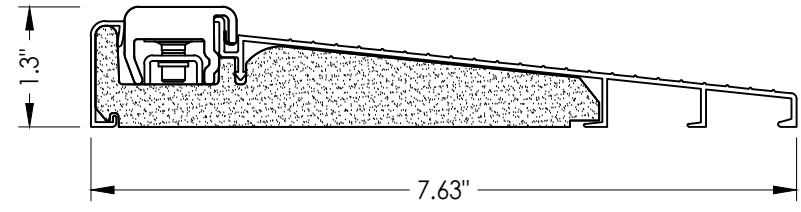
45 INSWING THRESHOLD
Inswing Composite Adjustable Sill Book, Hybrid



46 INSWING THRESHOLD
Inswing Composite Adjustable Sill U1



47 INSWING THRESHOLD
Inswing Composite Adjustable Sill U1



48 INSWING THRESHOLD
Inswing Composite Adjustable Sill U1

Documents Prepared By:
Lyndon F. Schmidt
P.E. No. 43409

RW BUILDING CONSULTANTS, INC.
P.O. Box 230, Valrico, FL 33595
Phone No.: 813.659.9197
FBPE Registry No. 9813

PRODUCT: THERMA-TRU FIBERGLASS DOOR

PART OR ASSEMBLY:

COMPONENTS

NO.	DATE	BY
2	8/08/23	LFS
1	7/23/20	LFS

DATE:	4/15/20
SCALE:	N.T.S.
DWG. BY:	RW
CHK. BY:	LFS
DRAWING NO.:	FL-23956.7
SHEET	9 of 10

© 2020 R.W. BUILDING CONSULTANTS INC.

Z:\2023 FBC Drawings\Therma-Tru\FL-23956 R2\FL-23956.7.dwg

BILL OF MATERIALS		
ITEM #	DESCRIPTION	MATERIAL
A	1X BUCK (SG >= 0.42)	WOOD
B	2X BUCK (SG >= 0.42)	WOOD
C	1/4" MAX. SHIM SPACE	-
D	1/4" X 2-3/4" PFH DeWALT OR ITW CONCRETE SCREW	STEEL
E	MASONRY - 3,000 PSI MIN. CONCRETE CONFORMING TO ACI 301 OR HOLLOW BLOCK CONFORMING TO ASTM C90	CONCRETE
G	3/16" X 3-1/4" PFH ITW CONCRETE SCREW	STEEL
J	1/4" X 3-3/4" PFH DeWALT OR ITW CONCRETE SCREW	STEEL
L	#10 X 2-1/2" PFH WOOD SCREW (1.15" MIN. EMBEDMENT)	STEEL
M	3/16" X 2-1/4" PFH ITW CONCRETE SCREW	STEEL
N	3/16" X 2-3/4" ITW CONCRETE SCREW	STEEL
P	1/4" X 2-3/4" PFH DeWALT CONCRETE SCREW	STEEL
1	JAMB (FINGER JOINT PINE)	WOOD
2	JAMB (FINGER JOINT PINE)	WOOD
7	WEATHERSTRIP	FOAM
8	SWEEP	VINYL
9	SWEEP	VINYL
10	SWEEP (USE w/ PUBLIC ACCESS THRESHOLD)	VINYL
13	INSWING THRESHOLD	ALUM/COMP
14	OUTSWING THRESHOLD	ALUM/COMP
16	OUTSWING THRESHOLD	ALUM/COMP
17	INSWING THRESHOLD	ALUM/COMP
18	PUBLIC ACCESS THRESHOLD	ALUM
19	INSWING THRESHOLD	ALUM/COMP
20	INSWING THRESHOLD	ALUM/COMP
23	#10 X 3/4" PFH WOOD SCREW	STEEL
24	#10 X 1" PFH WOOD SCREW	STEEL
25	#8 X 2-1/2" PFH WOOD SCREW	STEEL
27	LATCH STRIKE PLATE	STEEL
28	DEADBOLT STRIKE PLATE	STEEL
29	4" X 4" HINGE	STEEL
40	DOOR PANEL (BOOK DOOR)	-
41	DOOR PANEL (HYBRID DOOR)	-
42	DOOR PANEL (U1 DOOR)	-
43	INSWING THRESHOLD	ALUM/COMP
44	INSWING THRESHOLD	ALUM/COMP
45	INSWING THRESHOLD	ALUM/COMP
46	INSWING THRESHOLD	ALUM/COMP
47	INSWING THRESHOLD	ALUM/COMP
48	INSWING THRESHOLD	ALUM/COMP

CONCRETE ANCHOR NOTES:

- Concrete anchor locations at the corners may be adjusted to maintain the min. edge distance to mortar joints.
- Concrete anchor locations noted as "MAX. ON CENTER" must be adjusted to maintain the min. edge distance to mortar joints, additional concrete anchors may be required to ensure the "MAX. ON CENTER" dimension are not exceeded.
- Concrete anchor table:

ANCHOR TYPE	ANCHOR SIZE	MIN. EMBEDMENT	MIN. CLEARANCE TO MASONRY EDGE	MIN. CLEARANCE TO ADJACENT ANCHOR
ITW TAPCON®	1/4"	1-1/4"	2"	4"
DeWALT ULTRACON®	1/4"	1-1/4"	1"	4"
ITW TAPCON®	3/16"	1-1/4"	3"	1-1/2"

WOOD SCREW INSTALLATION NOTES:

- Maintain a minimum 5/8" edge distance, 1" end distance, & 1" o.c. spacing of wood screws to prevent the splitting of wood.

Documents Prepared By: Lyndon F. Schmidt P.E. No. 43409		BUILDING CONSULTANTS, INC. P.O. Box 230, Valrico, FL 33595 Phone No.: 813.659.9197 FBPE Registry No. 9813	
PRODUCT:	THERMA-TRU FIBERGLASS DOOR	PART OR ASSEMBLY:	BILL OF MATERIALS
		DATE	NO.
		8/08/23	2
		UPDATE TO 8TH ED. (2023)	FBC
		7/23/20	1
		UPDATE TO 7TH ED (2020)	FBC
			BY
			LFS
			LFS
			REVISIONS
DATE: 4/15/20			
SCALE: N.T.S.			
DWG. BY: RW			
CHK. BY: LFS			
DRAWING NO.: FL-23956.7			
SHEET 10 OF 10			